

# IDM

## – Inlet Distributor

- Removes large volumes of liquid from gas flow
- Reduces the feed stream forces
- 90% removal efficiency (typical)
- High resistance to fouling
- Normalizes the flow of foaming
- Low pressure drop
- Protects downstream processes and equipment
- Optimizes downstream gas flow
- Easy to install
- Solid design

# IDM

Inlet device for high inlet liquid loadings

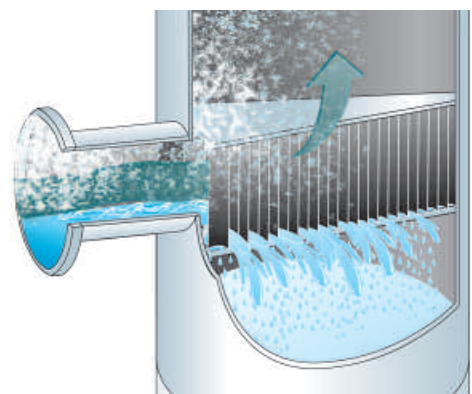


Munters IDM is an advanced type of inlet distributor that is commonly used for introducing gas/liquid mixtures into a vessel or a column. It removes liquid slugs and optimizes the downstream gas flow. The liquid removal capacity of the IDM is very high, with an efficiency of around 90%. It is designed to handle very large liquid fractions and slugs, yet it has a low pressure drop and a very high resistance to fouling.

### Typical applications

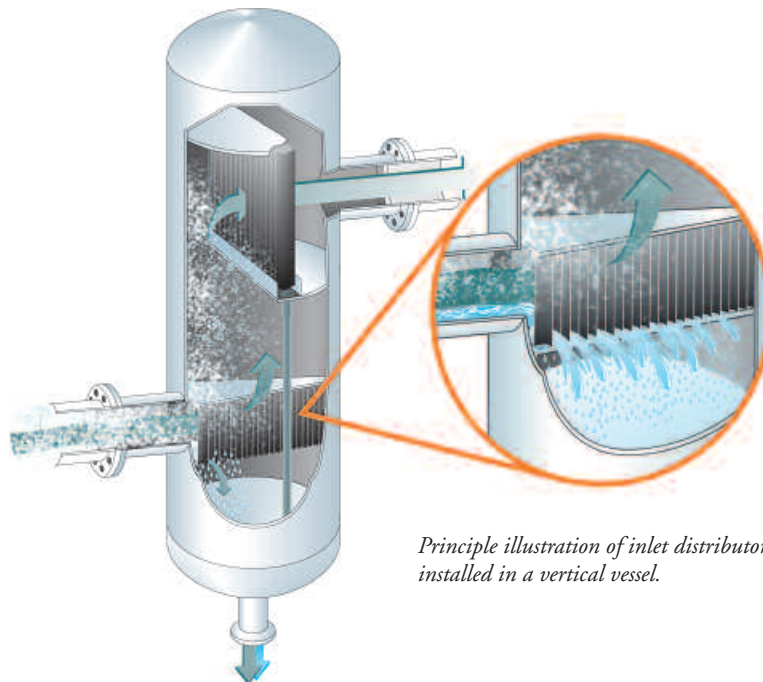
Typical uses for the IDM type inlet distributor include most applications where the volumes of liquids entrained in gases prove hazardous or problematic to the downstream process. The IDM not only removes the bulk of the liquid, it also evenly distributes the onward gas flow. Such applications include:

- Methanol plants
- Olefin plants
- Ammonia plants
- Compressor suction drums
- Knock-out drums



*Principle illustration.*

The IDM features angled vanes that divide the incoming gas flow, radically reducing speed, causing liquids to coalesce and drain downwards into the vessel. This reduces the entrained liquid content by up to 90% and distributes the gas flow more evenly. Separated liquids are drained off from the bottom of the vessel to eliminate the risk of re-entrainment. The IDM is also effective in handling and normalizing the flow of foaming and very viscous liquids.



*Principle illustration of inlet distributor installed in a vertical vessel.*



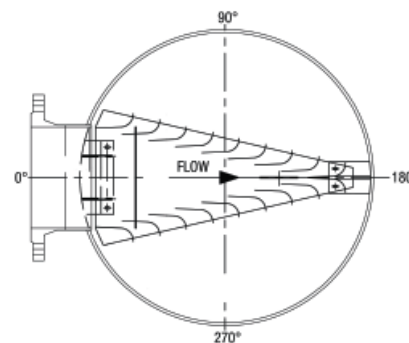
*Front view into a IDM inlet distributor.*

The IDM is simple to install internally making it ideal for in vessels where there is normally little space for such structures.

The Munters IDM is designed to meet the application requirements. Downstream separators can operate within their design limits without risk.

The IDM can typically be applied to inlet diameters larger than 150 mm and vessel diameters larger than 500 mm.

IDM type inlet distributors are manufactured from Carbon steel, stainless steel or other materials upon request.



*Top view of an inlet device showing the inlet nozzle and baffle plates.*

### Order information

For more product information or specification details please contact your nearest Munters office.



Munters, HumiCool Division, Isafjordsgatan 1, P.O. Box 1150, SE-164 26 Kista, Sweden. Phone +46 8 626 63 00, Fax +46 8 754 56 66.

Munters Euroform GmbH, Philipsstrasse 8, P.O. Box 101109, DE-52011 Aachen, Germany. Phone +49 241 89 00 0, Fax +49 241 89 00 5199, [mist-elimination@munters.com](mailto:mist-elimination@munters.com)

Munters Corporation, 210 Sixth Street SE, P.O. Box 6428, 33911 Fort Myers FL, USA. Phone +1 239 936 1555, Fax +1 239 936 8858, [usfmysts\\_me@americas.munters.com](mailto:usfmysts_me@americas.munters.com)  
[www.munters.com](http://www.munters.com)

**Australia** Munters Pty Limited, Phone +61 2 6025 6422, **Austria** via Munters Euroform GmbH, **Brazil** Munters Brasil Industria e Comercio Ltda, Phone +55 41 3317 5050, **China** Munters Air Treatment Equipment (Beijing) Co. Ltd., Phone +86 10 80 481 121, **Denmark** via sales organization in Sweden, **Finland** Munters Oy, Phone +358 9 83 86 030, **France** Munters France S.A., Phone +33 1 34 11 57 50, **Germany** Munters Euroform GmbH, Phone +49 241 89 00 0, **India** via Munters Euroform GmbH, **Indonesia** Munters, Phone +62 21 9105 4467, **Italy** via Munters Euroform GmbH, **Japan** via Munters Euroform GmbH, **Kingdom of Saudi Arabia and Middle East** via Munters Euroform GmbH, **Korea** via Munters Euroform GmbH, **Mexico** Munters Mexico, Phone +52 818 262 54 00, **Norway** via sales organization in Sweden, **Russia** Munters Europe AB, Phone +7 812 448 5740, **South Africa and Sub-Sahara Countries** Munters (Pty) Ltd., Phone +27 11 997 2000, **Spain** via Munters Euroform GmbH, Office Barcelona, Phone +34 93 688 1017, **Sweden** Munters Europe AB, Phone +46 8 626 63 00, **Thailand** Munters Co. Ltd., Phone +66 2 645 2708 12, **United Kingdom** Munters Ltd., Phone +44 845 644 3980, **USA** Munters Corporation Fort Myers, Phone +1 239 936 1555, Munters Corporation **Export & Other countries** Munters Euroform GmbH, Phone +49 241 89 00 0.

Your closest distributor